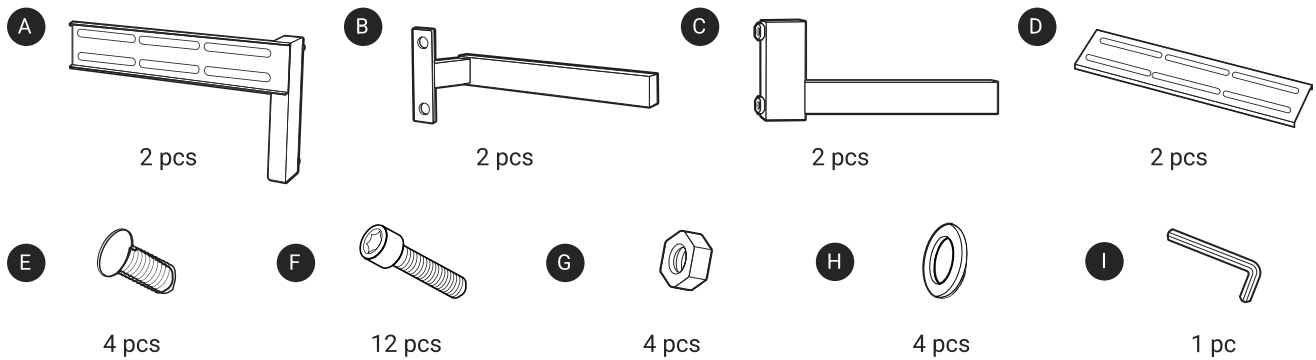
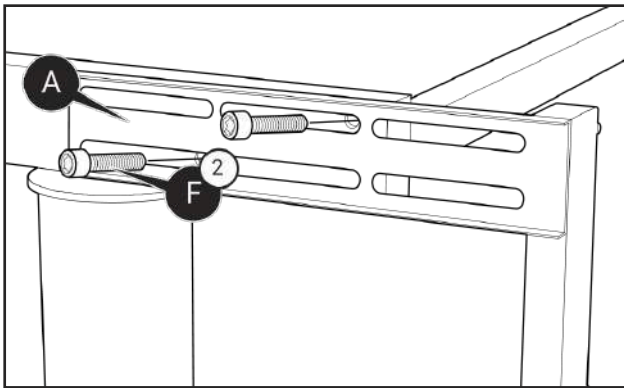


# HEADBOARD BRACKETS INSTALLATION

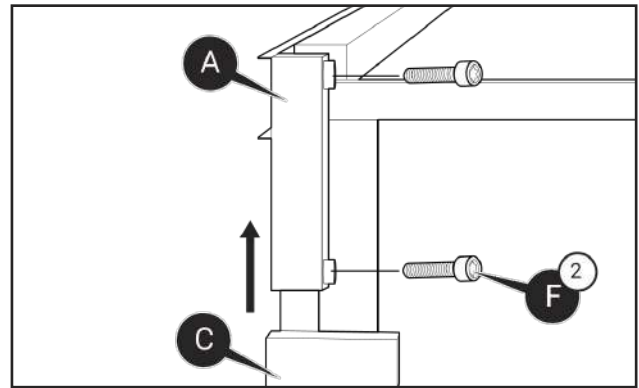
Before discarding any packing materials, check the adjustable base shipping carton and verify the following items are included:



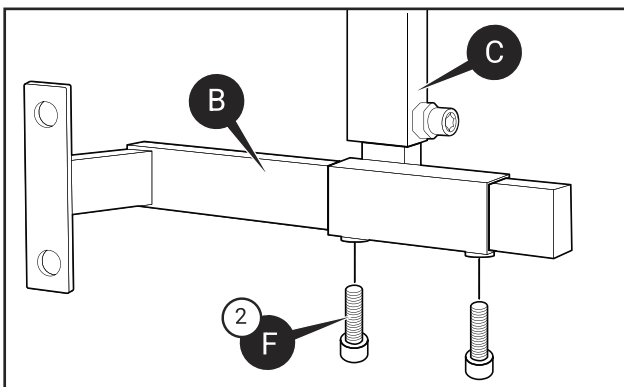
## INSTALLATION WITH ELEVATION KIT



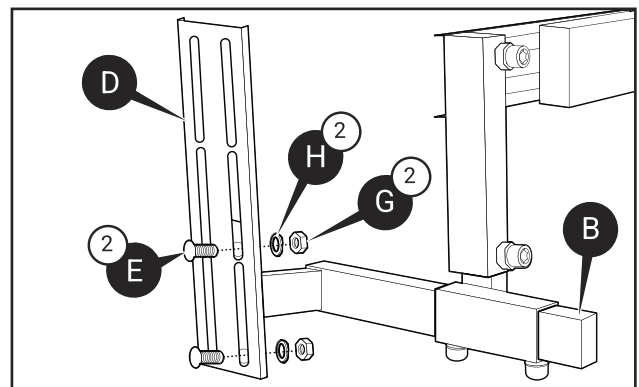
- 1 Raise the head of the base to the full upright position. Find the two threaded headboard bracket holes on the frame of the base. Align bracket (A) with the two threaded headboard bracket holes. Lightly secure bracket (A) with two bolts (F).



- 2 Insert bracket (C) into bracket (A) and lightly secure with two bolts (F).



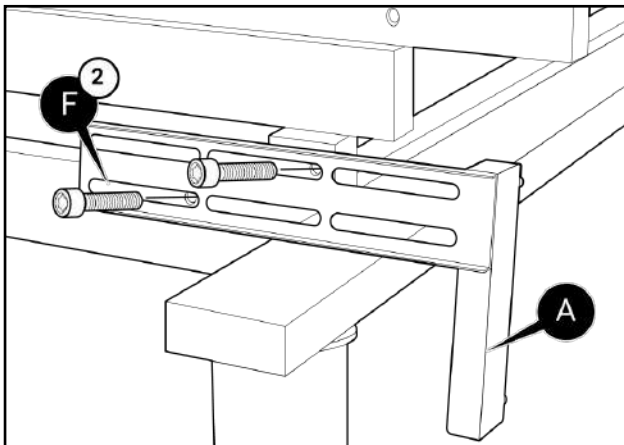
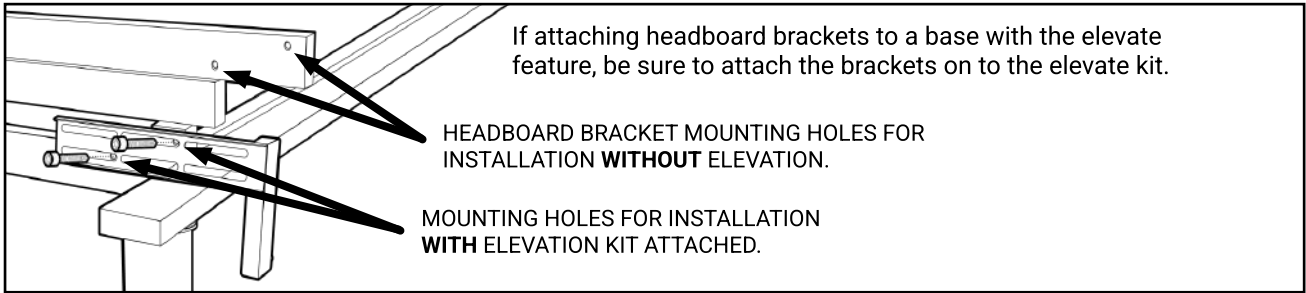
- 3 Insert bracket (B) into bracket (C) and lightly secure with two bolts (F).



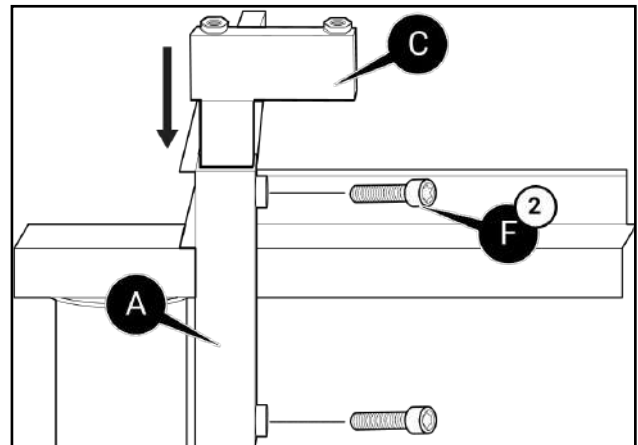
- 4 Insert two bolts (E) through bracket (D) and bracket (B). Use washers (H) and nuts (G) to lightly secure. Adjust brackets to align with headboard mounting holes and secure all nuts and bolts.

# HEADBOARD BRACKETS INSTALLATION

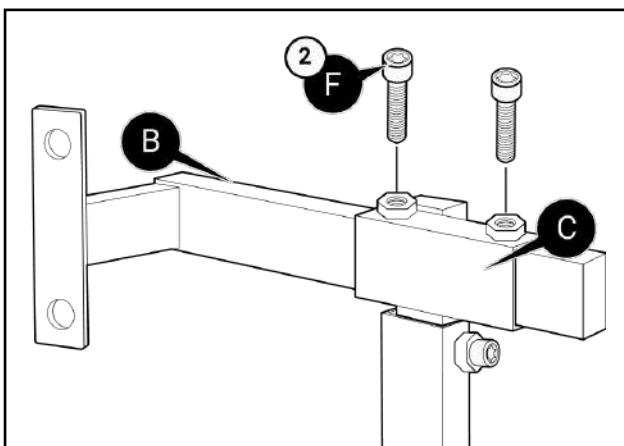
## INSTALLATION WITH ELEVATION KIT



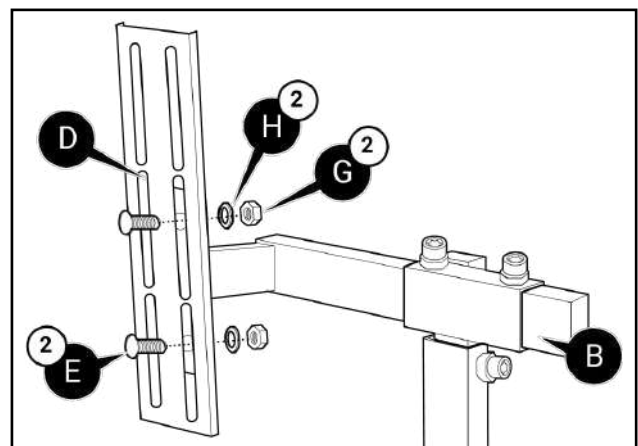
- 1 Raise the head of the base to the full upright position. Find the two threaded headboard bracket holes on the frame of the base. Align bracket (A) with the two threaded headboard bracket holes. Lightly secure bracket (A) with two bolts (F).



- 2 Insert bracket (C) into bracket (A) and lightly secure with two bolts (F).



- 3 Insert bracket (B) into bracket (C) and lightly secure with two bolts (F).



- 4 Insert two bolts (E) through bracket (D) and bracket (B). Use washers (H) and nuts (G) to lightly secure. Adjust brackets to align with headboard mounting holes and secure all nuts and bolts.