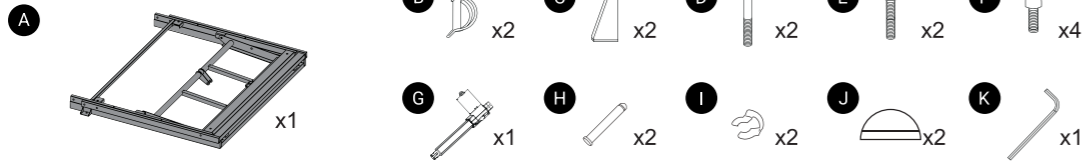
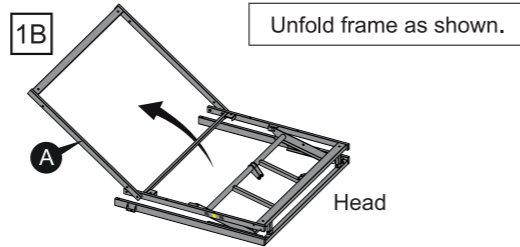
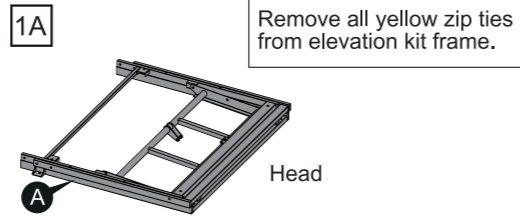
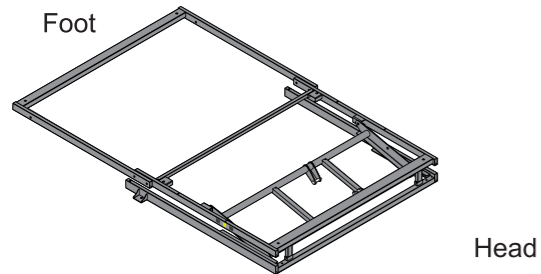




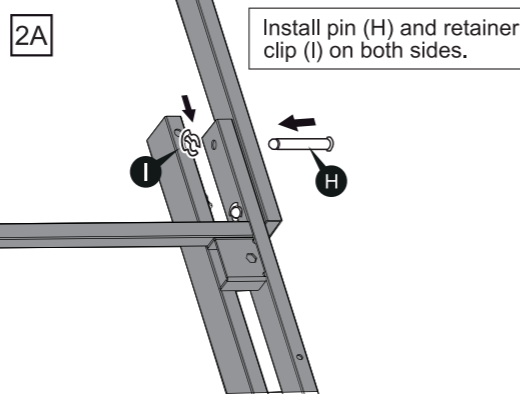
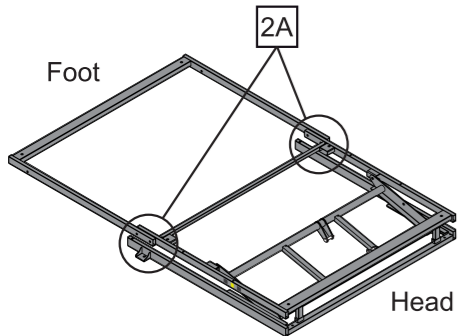
INCLUDED



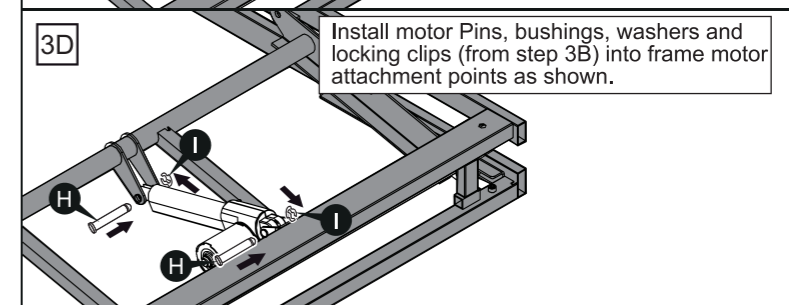
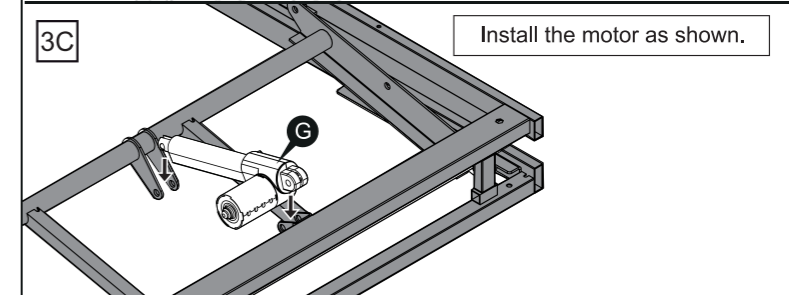
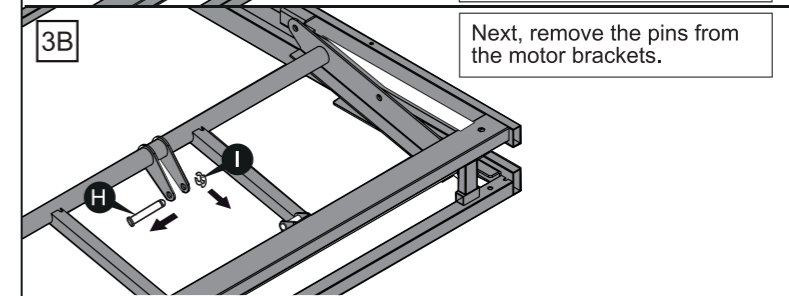
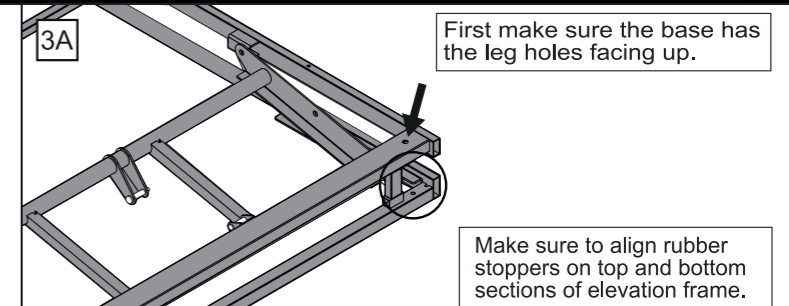
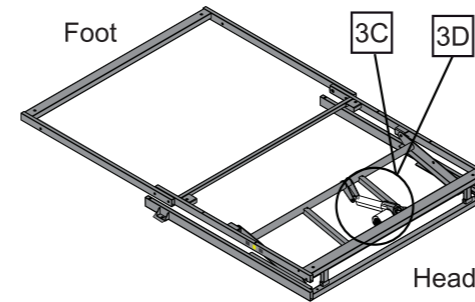
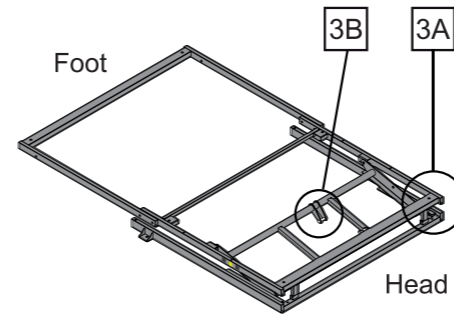
1 Unfolding Elevation Kit Frame



2 Install Locking Pins & Clips



3 Motor Installation



After elevation assembly in step 1-3 is complete, move to step 4-7 to attach elevation to adjustable base.



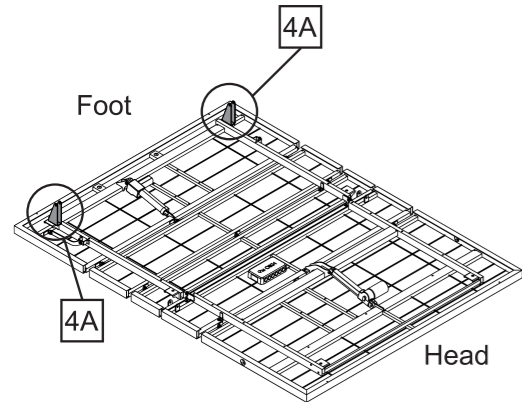
ELEVATION KIT | ESELV

QUICK START GUIDE

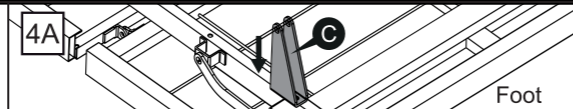
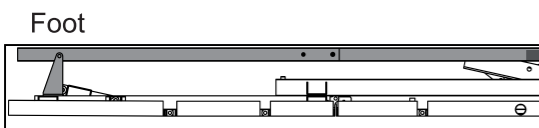
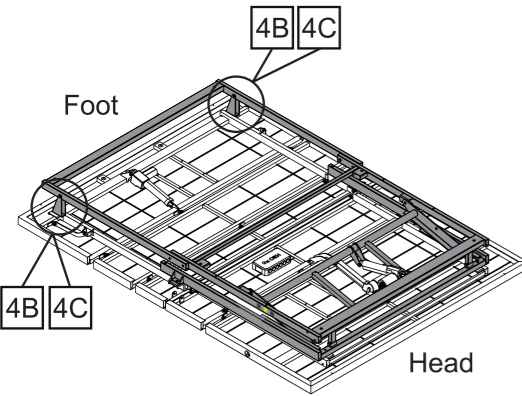


DOWNLOAD THE APP
 This adjustable base* is compatible with our Symphony Sleep for Bluetooth remote app. Go to www.symphonysleep.com/app to learn more.

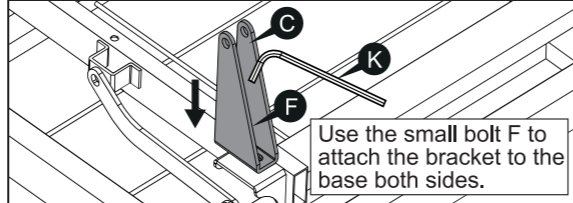
4 Install Foot End Angle Bracket to Adjustable Base



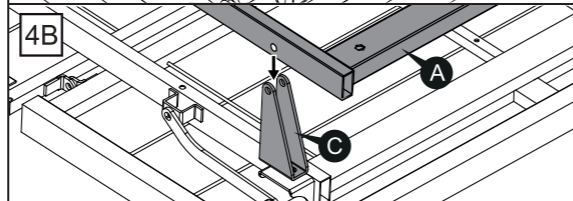
Attach Elevation Kit onto Foot End Angle Bracket



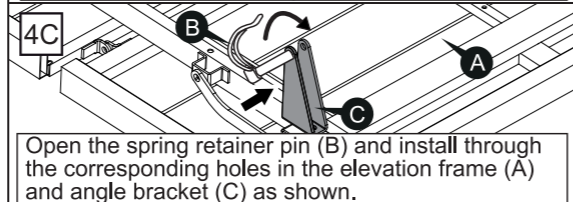
Prior to mounting elevation kit onto adjustable base, install part (C) onto the adjustable base as shown. Please orient bracket so the angled side is facing the end of the bed.



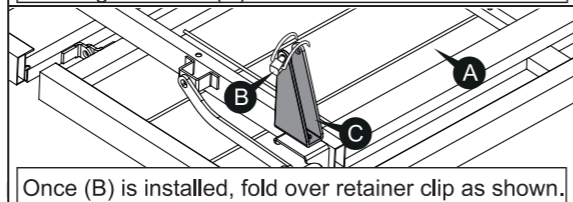
Use the small bolt F to attach the bracket to the base both sides.



Place the elevation kit (A) on top of the adjustable base. **NOTE:** the elevation motor should be placed at the head-end of the adjustable base.

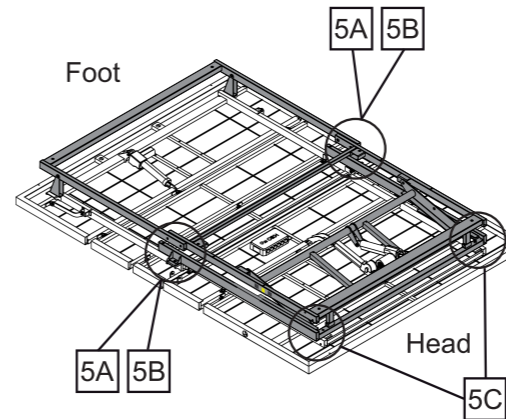


Open the spring retainer pin (B) and install through the corresponding holes in the elevation frame (A) and angle bracket (C) as shown.



Once (B) is installed, fold over retainer clip as shown.

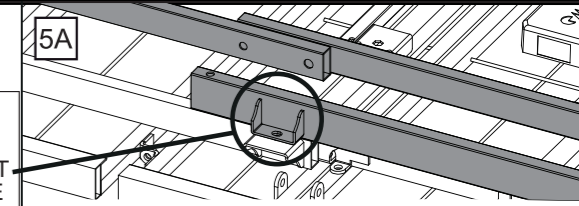
5 Install Screws to Attach Elevation Kit to Adjustable Base



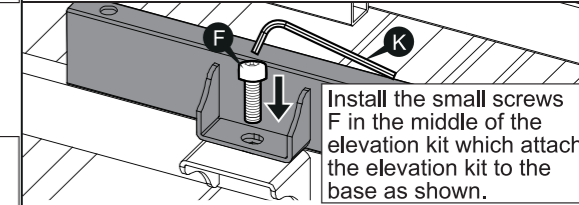
USE SHORT BOLT HERE



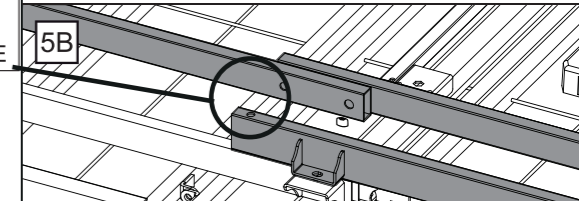
USE LONG BOLT HERE



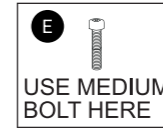
Install the small screws F in the middle of the elevation kit which attach the elevation kit to the base as shown.



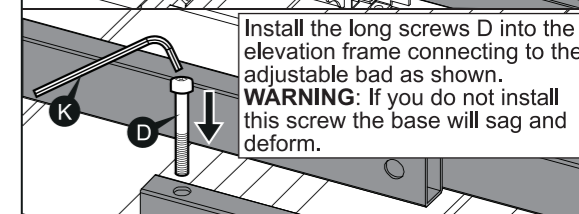
Install the long screws D into the elevation frame connecting to the adjustable base as shown. **WARNING:** If you do not install this screw the base will sag and deform.



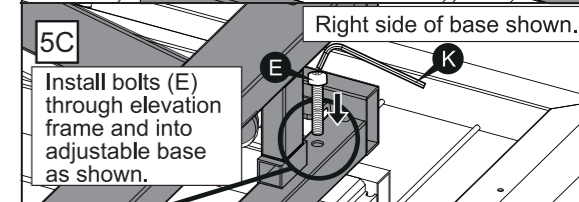
Install bolts (E) through elevation frame and into adjustable base as shown.



USE MEDIUM BOLT HERE



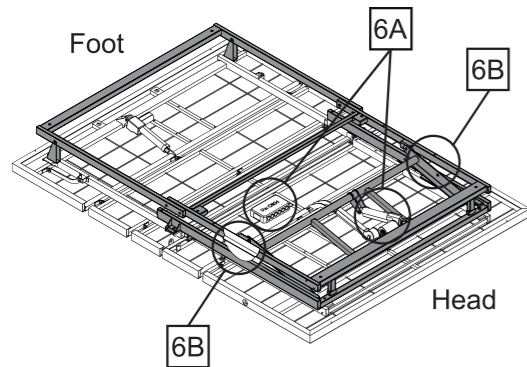
Right side of base shown.



Left side of base shown.

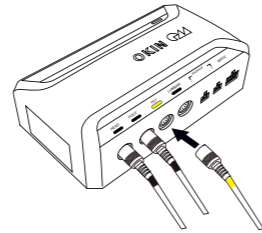


6 Motor Attachment



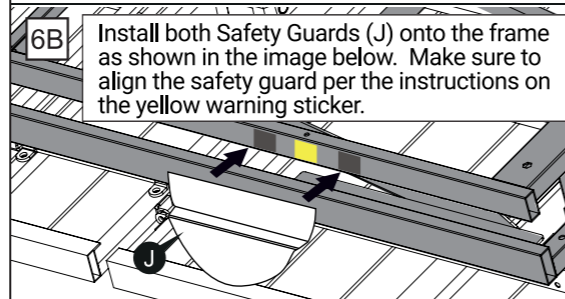
6A

Connect the elevation motor wire to the control box of adjustable base. The wire and control box are color coded. Match **YELLOW** colors to ensure proper connection.



6B

Install both Safety Guards (J) onto the frame as shown in the image below. Make sure to align the safety guard per the instructions on the yellow warning sticker.



SAFETY INFORMATION

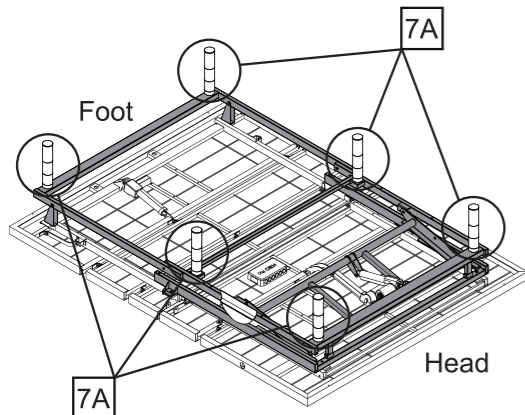
ATTENTION!

IMPORTANT SAFETY INSTRUCTIONS. SAVE THIS MANUAL! PLEASE READ THESE INSTRUCTIONS THOROUGHLY BEFORE USING THIS PRODUCT. PROPER OPERATION OF YOUR ADJUSTABLE BED IS NECESSARY TO ENSURE THE LONG LIFE AND DURABILITY YOU EXPECT FROM A HIGH QUALITY PRODUCT. THE MANUFACTURER HAS TESTED AND INSPECTED THIS PRODUCT PRIOR TO SHIPMENT.

ELECTRICAL SAFETY

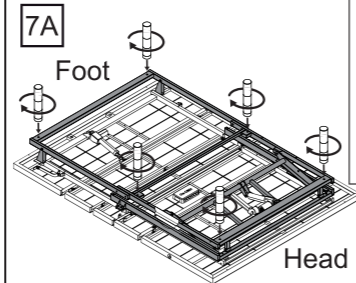
Always unplug this adjustable bed frame from the electrical outlet before any cleaning or maintenance of the bed frame. To safely disconnect, remove the plug from the outlet. Keep cord away from heated surfaces. Use only indoors.
WARNING: TO PREVENT FIRE OR SHOCK HAZARD, DO NOT EXPOSE THIS UNIT TO MOISTURE. Discontinue use of this adjustable bed base and contact the manufacturer for repair if: (1) it has a damaged cord or plug, (2) it is not working properly, (3) it has been dropped or damaged. **FOR OPTIMAL SAFETY, YOUR ADJUSTABLE BED SHOULD BE PLUGGED INTO A SURGE PROTECTOR** (not supplied with this adjustable bed).

7 Leg Installation



7A

To finalize assembly please install legs into elevation kit. For normal base height, remove one leg section from the legs that come with the adjustable base.



WARRANTY WARNING

This bed is specifically designed to require no maintenance by you, the user. Any opening or tampering with the control box, motors or hand controls (with the exception of the battery compartment, if equipped) will void the warranty. Do not attempt to alter component wiring or adjust or modify the structure of the product in any way or the warranty will be void. Only those authorized may conduct repairs or part replacement on your adjustable bed.

IN-HOME USE ONLY

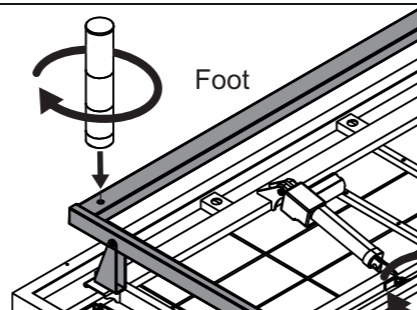
This adjustable bed is designed exclusively for in-home use.

HOSPITAL/COMMERCIAL DISCLAIMER

This base is NOT designed for commercial or hospital use and is NOT designed to meet hospital standards. Do not use this base with TENT TYPE oxygen therapy equipment or use near explosive gases.

CONSUMERS WITH PACEMAKERS

It is possible that the vibrating feature of this bed may be interpreted falsely by some pacemakers as movement and/or exercise. This is common with any product that produces a vibrating motion, and may or may not affect your pacemaker. Please consult your physician with any concerns.



To achieve normal bed height, remove the (2) middle leg segments.



ELEVATION KIT | ESELV QUICK START GUIDE



DOWNLOAD THE APP

This adjustable base* is compatible with our Symphony Sleep for Bluetooth remote app. Go to www.symphonysleep.com/app to learn more.

PRODUCT RATINGS

Lift Motor Restrictions: The lift motors in this bed are NOT designed to operate continuously for more than one (1) minute over an eight (8) minute time period, or approximately 12% duty cycle. To ensure reliable functionality and full life of this product, do an attempt to exceed these limits. NOTE: Attempting to circumvent or exceed this rating will shorten the life expectancy of the product and may void the warranty.

Weight Restrictions: The recommended weight limits on our adjustable beds are: Queen: 650 lb
Twin/XL: 400 lb (800 lb if using two twins as a king)

The structure of the bed will support the recommended weight when distributed evenly across the bed. The head and foot sections are not designed to individually support or lift this amount of weight. For optimal performance and integrity of structure, entering and exiting the adjustable bed with the bed in the flat position is recommended. NOTE: Exceeding the recommended weight restrictions could damage your adjustable bed and void your warranty.

SMALL CHILDREN AND PETS WARNING

Immediately dispose of all packing materials as they can pose a smothering risk to small children and pets. Injury could occur also if children or pets are permitted to play on or under the bed. Do not allow children to operate this bed without adult supervision.

LUBRICATION AND CLEANING

This product is designed to be maintenance free. The lift motors are permanently lubricated and sealed-no additional lubrication is required. Do not apply lubricant to lift motor lead screws or any nylon nuts or the base may inadvertently creep downward from the elevated position.

LIFT WARNING

DO NOT SIT ON THE HEAD OR FOOT SECTIONS WHILE IN THE RAISED POSITION, OR DURING LIFT OR LOWERING CYCLES.

LOCATION ENVIRONMENT

The level of sound experienced during operation is directly related to the location environment. For example, when a base is located on a hardwood floor with the vibe feature in operation, a vibrating tone will be audible. To minimize this resonance, place a piece of carpet under each leg of the base. It is possible to experience vibration or noise from the headboard brackets, headboards or foot boards if the mounting bolts are not firmly tightened.

MOVING AFTER INSTALLATION

Do not place adjustable bed base vertically on its head, foot sections or sides. This may cause injury to persons or damage to base.

WARNINGS

To reduce the risk of burns, fire, electric shock, or injury to persons:

Unplug from outlet before putting on or taking off accessories.

Close supervision is necessary when this base is used by, or near children, invalids, disabled persons, or pets.

Use this base only for its intended use as described in these instructions.

Do not use attachments not recommended by the manufacturer.

Never operate this base if it has a damaged cord or plug, is not working properly, has been dropped or damaged, or dropped in water.

Keep the cord away from heated surfaces,

Never drop or insert any object into any opening.

Do not use outdoors.

Do not operate where aerosol (spray) products are being used or where oxygen is being administered.

To disconnect, remove plug from outlet.

DO NOT USE NEAR PEOPLE USING OR WEARING MEDICAL DEVICES. FOR HOUSEHOLD/RESIDENTIAL USE ONLY.